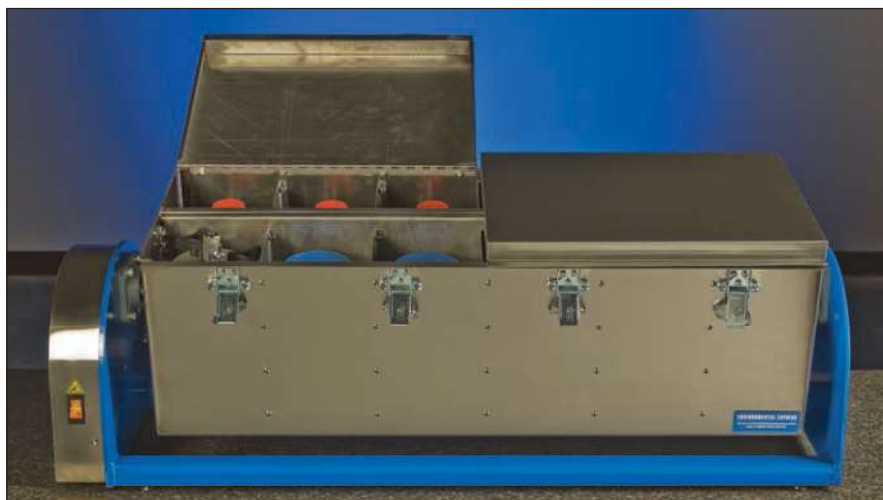


## TCLP: Rotator



### Rotator Specifications:

Dimensions:	24.5"W x 21.5"D x 45.0"L
Weight:	172 lb.
Construction:	14 guage stainless steel
Compartments:	12, 6.25" x 6.25" x 12.75"
Motor:	Brother® Motor 1/6hp, 60hz 120V or 240V
Speed:	30rpm

### The box style of our Heavy Duty LE Rotator allows the analyst a wide choice of extraction vessels.

The Heavy Duty LE Rotator delivers quiet, consistent and dependable service. Twelve large stainless steel compartments accommodate most zero headspace extractors and many styles of bottles. The box style offers a greater degree of safety.

The sample box is constructed of 14 gauge stainless steel reinforced at all joints. The drive shaft is a full 1" in diameter to prevent any breakage, even with off-center loads. Glass bottles containing extraction fluid are shielded within the stainless steel box, not rotating exposed in your laboratory.

LE1002 rotators use Brother® high efficiency gear motors with self-lubricating drive chains to ensure longer service life and increased reliability. These all-helical gears are among the quietest available and have the very high surface hardness required to insure extended wear resistance commonly associated with EPA Method 1311. A self-lubricating chain prevents slippage and requires no maintenance. Precise, constant speed control is maintained during long hours of continuous operation.

Description	Catalog #
Twelve-place rotator	LE1002
Twelve-place rotator, 240VAC	LE1003

### Polyurethane Extractor Pads for LE Rotators are die-cut to enable various vessels to fit in the Environmental Express LE rotators.

Styles are available to fit both zero headspace analyzers and bottles. Also available is the foam rubber collar to allow bottles to fit in clamp style rotators (catalog BW2000A).

Description	Catalog #
EE ZHE+	LE1603
Millipore® ZHE	LE1604
BC2000-1 Bottle	LE1606
BX3000-4 Jar	LE1607
BF2501-6 Jar	LE1608
BK3000-1 Jar	LE1609

# ENVIRONMENTAL EXPRESS

Call 800.343.5319 or 843.881.6560 • [www.environmentalexpress.com](http://www.environmentalexpress.com)



# TCLP: Pressure Filtration

## The PTFE-coated MaxFil™ Pressure Filtration Device is durable and lightweight.

The MaxFil is specifically designed to meet the demands of the Toxicity Characteristic Leaching Procedure Method. Design features built into this hazardous waste filtration system make complying with Method 1311 easy and efficient. No splitting of the sample extract is necessary because the 2200mL capacity allows the analyst to load the entire sample before filtration begins. This saves time and reduces the supplies necessary to prepare a sample. Pressurization is achieved by use of a quick connect fitting instead of a cumbersome hose-barb fitting. This quick-connect requires no clamping and, unlike a barbed fitting, it cannot “blow off” during filtration. All pressures are monitored by a pressure gauge located on the top plate of the MaxFil. When used with a regulator, filtration can be performed accurately and precisely without constant attention by the analyst.

Sample materials may be introduced into the MaxFil by removing the top plate or through the 1” diameter entry port. This unique entry port has a two-inch knurled handle that enables any analyst to open and close the port without the use of tools.

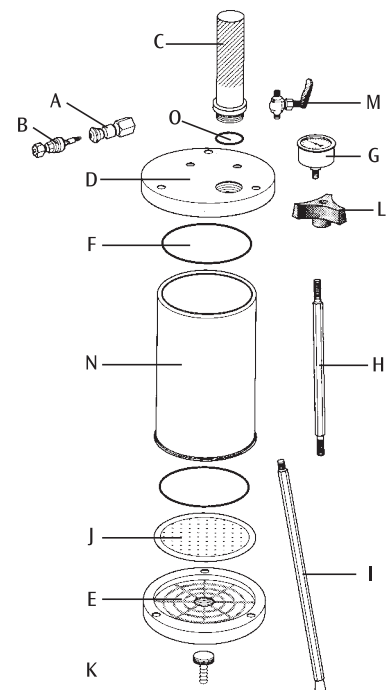
All wetted surfaces of the Maxfil are Teflon\*-coated to offer extra assurance that no leaching of metals will occur.

PTFE-coated MaxFil

Catalog # PF000-2



MaxFil Parts	Catalog #
A. 1/4" female disconnect	PSSFD25-1
B. 1/4" male disconnect	ZCDMD25-1
C. 1" entry port handle	PC000-1
D. Top plate	PSSTP00-1
E. Bottom plate	PSSBP00-1
F. Viton®-A cylinder O-ring	PVR000-2A
G. Pressure gauge, 0-100 psi	PSPPG12-2
H. Connecting rod	POSTR25-1
I. Leg	POSLG25-1
J. 142mm filter support screen	PSS142MM
142mm PTFE-coated filter support screen	M302004
K. Exhaust port	PEP000-1
L. Thermoplastic locking handle, 3 Pack	ZPLNA00-3,
M. 1/8" pressure relief valve	ZCDRV12-1
N. Sample barrel	PSS2200
O. Viton-A inlet O-ring	PVR100-1



**ENVIRONMENTAL EXPRESS**

Call 800.343.5319 or 843.881.6560 • [www.environmentalexpress.com](http://www.environmentalexpress.com)



# TCLP: Zero Headspace Extractor

## ZHE+™ with 560mL capacity is constructed of 316 Stainless Steel.

The Environmental Express zero headspace extractor, ZHE+ has a large capacity to utilize the maximum test sample of 25 grams as allowed by federal regulations. In use, the piston is moved up the honed sample barrel by gas pressure, pushing the extracted sample through a 0.7µm borosilicate glass fiber filter, held between two photo-etched screens and out the top of the apparatus into a gas tight syringe or Tedlar® bag. A pressure gauge continually monitors filtration pressure. Pressurizing gas is introduced through a quick-connect fitting located on the bottom of the ZHE+, allowing the user one-hand operation when connecting or disconnecting the gas source. A pressure relief valve is located on the bottom of the ZHE+. All fittings are contained within the “footprint” of the apparatus, protecting them from damage when the apparatus is handled or loaded into a rotary agitator.

The finished extract exits through a 316 stainless steel plug valve located on the top plate. A plug valve is especially well suited for this application as it can be “throttled” to allow the pressurized extract to escape from the ZHE+ slowly. Top and bottom plates are connected by hex connecting rods and feet. The ZHE+ comes fully assembled.

The ZHE+ is supplied with a set of spare O-rings and a polyethylene tool to remove the piston from the sample cylinder.

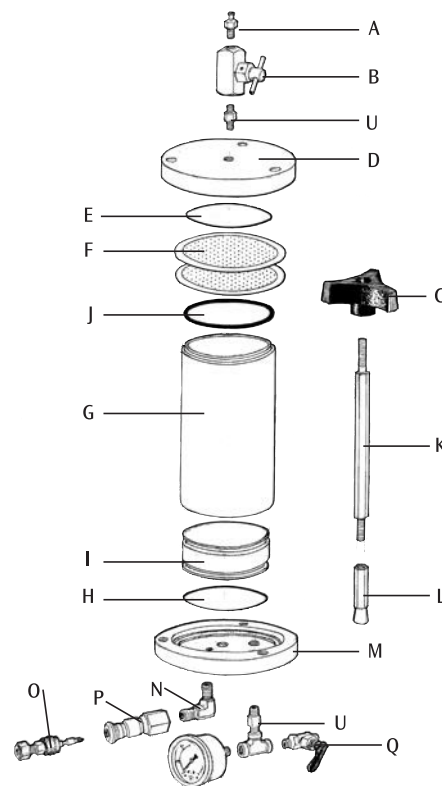


### ZHE+

Catalog # ZHE1000

#### ZHE+ Parts:

	Catalog #
A. 1/8" Stainless steel luer	ZSSFL12-1
B. 1/4" Stainless plug valve	ZSSPV00-1
C. Thermoplastic locking handle	ZPLNA00-3
D. 316 Stainless top plate	ZSSTP00-1
E. Viton-A plate O-ring	ZVRC000-2
F. 90mm photoetched SS screen	ZSS9000-1
90mm disposable PES screen	FZ090MM
G. Stainless cylinder	ZSS5600-1
H. Viton-A O-ring	ZVRP000-2
I. 316 Stainless piston	ZSSP000-1
J. Viton-A cylinder O-ring	ZVRB000-1
K. Connecting rod	ZOSTR25-1
L. Support legs	ZOSLG25-1
M. 316 Stainless bottom plate	ZSSBP00-1
N. 1/4" elbow connection	ZCDEL25-1
O. 1/4" male disconnect	ZCDMD25-1
P. 1/4" female disconnect	ZCDFD25-1
Q. 1/8" pressure relief valve	ZCDRV12-1
R. Pressure gauge, 0-60 psi	ZSPPG12-1
S. Rubber feet	ZRUFT25-3
T. Polyethylene knockout plug (not shown)	ZPYPG00-1
U. 1/8" Stainless bushing	ZSSBU12-1
V. 1/8" Stainless female Fitting	ZCDT012-1



# ENVIRONMENTAL EXPRESS

Call 800.343.5319 or 843.881.6560 • [www.environmentalexpress.com](http://www.environmentalexpress.com)

## TCLP: Filters

### Acid Washed TCLP Filters from Environmental Express meet all guidelines set forth in EPA Method 1311.

The use of prewashed filters saves reagent cost and reduces chemical waste in your laboratory. Filters are washed, rinsed and dried in a consistent procedure which may reduce blank variability and typically provides lower background metals levels than are achieved with on-site filter preparation. These filters are washed in 1N HNO<sub>3</sub> acid and then rinsed three times with more than one liter of deionized water per filter. The filters are oven dried at 105°C prior to final conversion.

Acid Washed or Standard TCLP Filters are available in a variety of sizes. Filters are binder-free borosilicate glass fiber with porosity limits of 0.7 µm +/- 0.1 µm with a retention rate of 98%. Acid washed filters are certified warranting that the filters have been prepared according to EPA Method 1311 protocols.

#### Acid Washed TCLP Filters

Description	Catalog #	Quantity
Prewashed 47mm	FG77047MM	100
Prewashed 76mm	FG77076MM	50
Prewashed 90mm	FG77090MM	50
Prewashed 110mm	FG77110MM	50
Prewashed 125mm	FG77125MM	50
Prewashed 142mm	FG77142MM	50
Prewashed 150mm	FG77150MM	50

#### Standard TCLP Filters

Description	Catalog #	Quantity
Standard 76mm	FG75076MM	100
Standard 90mm	FG75090MM	100
Standard 110mm	FG75110MM	100
Standard 125mm	FG75125MM	100
Standard 142mm	FG75142MM	100
Standard 150mm	FG75150MM	100



Each box of prewashed TCLP filters is supplied with an independent certification of preparation warranting that the filters were prepared by Method 1311 protocols. The certificate also gives demonstrated background TCLP metals levels.



**ENVIRONMENTAL EXPRESS**

Call 800.343.5319 or 843.881.6560 • [www.environmentalexpress.com](http://www.environmentalexpress.com)